

# FIT™ SERIES DISPLAY MOUNTS

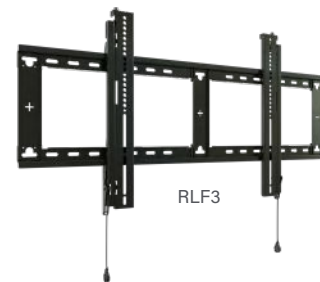
## Meet the next generation of high value display mounts

All updated Fit wall mounts include these enhanced features:

- Low-profile depth facilitates ADA compliance for typical AV design requirements
- Easy to reach leveling screw for post-installation adjustments 0.75" (19 mm)
- Open wall plate for flexible positioning around power and data wall boxes
- Enhanced rigid wall plate and additional mounting slots for improved installation experience
- Tool-free GlideLock secures display to wall plate, allows perfect positioning of screen
- Kickstand and magnetic quick-store release pull cords allow easy access to cable connections
- Theft deterrent security options (not included)
- UL and TUV safety standards compliant

### Fit™ Fixed Wall Mount

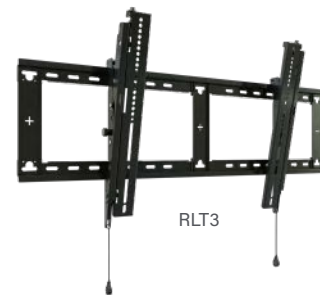
Part #	Description	Max. Mounting Pattern	Typical Screen Sizes	Weight Capacity	Certifications
<b>RMF3</b>	Medium Fit™ Fixed Display Wall Mount	550 x 450mm	32 - 65"	125 lbs (56.7 kg)	UL and TUV
<b>RLF3</b>	Large Fit™ Fixed Display Wall Mount	960 x 450mm	43 - 86"	200 lbs (90.7 kg)	UL and TUV
<b>RXF3</b>	Extra-Large Fit™ Fixed Display Wall Mount	960 x 650mm	49 - 98"	250 lbs (113 kg)	UL and TUV



### Fit™ Tilt Wall Mount

- Display can be tilted up to 12° to set the optimal viewing angle

Part #	Description	Max. Mounting Pattern	Typical Screen Sizes	Weight Capacity	Certifications
<b>RMT3</b>	Medium Fit™ Tilt Display Wall Mount	508 x 450mm	32 - 65"	125 lbs (56.7 kg)	UL and TUV
<b>RLT3</b>	Large Fit™ Tilt Display Wall Mount	915 x 450mm	43 - 86"	200 lbs (90.7 kg)	UL and TUV
<b>RXT3</b>	Extra-Large Fit™ Tilt Display Wall Mount	915 x 650mm	49 - 98"	250 lbs (113 kg)	UL and TUV



### Fit™ Extending Tilt Wall Mount

- Minimum 2.67" (68 mm) depth up to 6" (152 mm) when fully extended away from the wall
- 10° forward and back tilt

Part #	Description	Max. Mounting Pattern	Tilt	Maximum Extension	Typical Screen Sizes	Weight Capacity	Certifications
<b>RLXT3</b>	Large Fit™ Extending Tilt Display Wall Mount	100 x 100 - 863 x 450mm	+10°/-10°	6" (152 mm) from wall	43 - 85"	150 lbs (68 kg)	UL and TUV

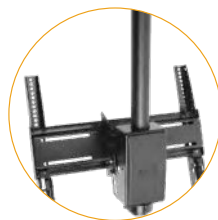


# FIT™ SERIES DISPLAY MOUNTS

## High value display mounting solutions

### Fit™ Ceiling Mount

Chief's Fit™ Flat Panel Single Ceiling Mounts are installer inspired and offer perfect display positioning and flexible adjustments for large flat panel screens.



Ceiling Plate and extension column are required and must be ordered separately.

Part #	Description	Mounting Pattern	Adjustments	Works with Typical Screen Sizes	Weight Capacity	Certifications
<b>RMC1</b>	Medium Fit™ Ceiling Mount	up to 457 x 400mm	Roll, +/- 3°; Tilt, + 5°, - 20°	32 - 55"	125 lbs (56.7 kg)	UL Listed
<b>RLC1</b>	Large Fit™ Ceiling Mount	up to 610 x 400mm	Roll, +/- 3°; Tilt, + 5°, - 20°	42 - 75"	125 lbs (56.7 kg)	UL Listed

### Speed-Connect Fixed and Adjustable Extension Columns

Focusing on speed of installation, the CMS Speed-Connect Series of extension columns integrates easy-to-use features aimed at saving installation time and maximizing security.



Part #	Description
<b>CMS006009</b>	Adjustable Pipe 6" to 9"
<b>CMS009012</b>	Adjustable Pipe 9" to 12"
<b>CMS012018</b>	Adjustable Pipe 12" to 18"
<b>CMS018024</b>	Adjustable Pipe 18" to 24"
<b>CMS0203</b>	Adjustable Pipe 24" to 36"
<b>CMS0305</b>	Adjustable Pipe 36" to 60"
<b>CMS0406</b>	Adjustable Pipe 48" to 72"

Part #	Description
<b>CMS012</b>	Fixed Pipe 12"
<b>CMS018</b>	Fixed Pipe 18"
<b>CMS024</b>	Fixed Pipe 24"
<b>CMS036</b>	Fixed Pipe 36"
<b>CMS048</b>	Fixed Pipe 48"
<b>CMS060</b>	Fixed Pipe 60"
<b>CMS072</b>	Fixed Pipe 72"

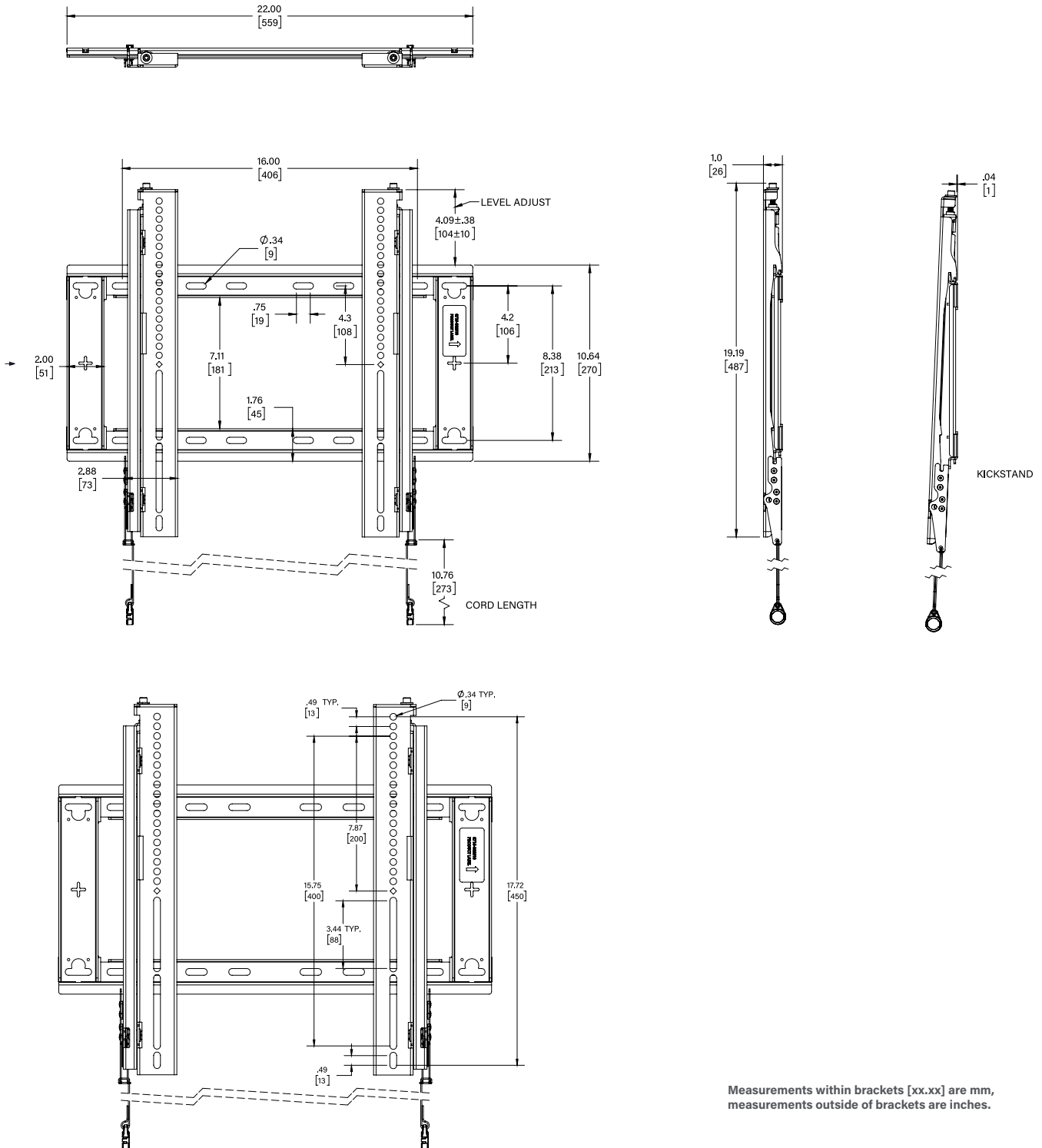
### CMA Series Ceiling Plates

Part #	Description
<b>CMA105</b>	4" Ceiling Plate with 1-1/2" NPSM
<b>CMA110</b>	8" Ceiling Plate with 1-1/2" NPSM
<b>CMA115</b>	6" Ceiling Plate with 1-1/2" NPSM



**RMF3**

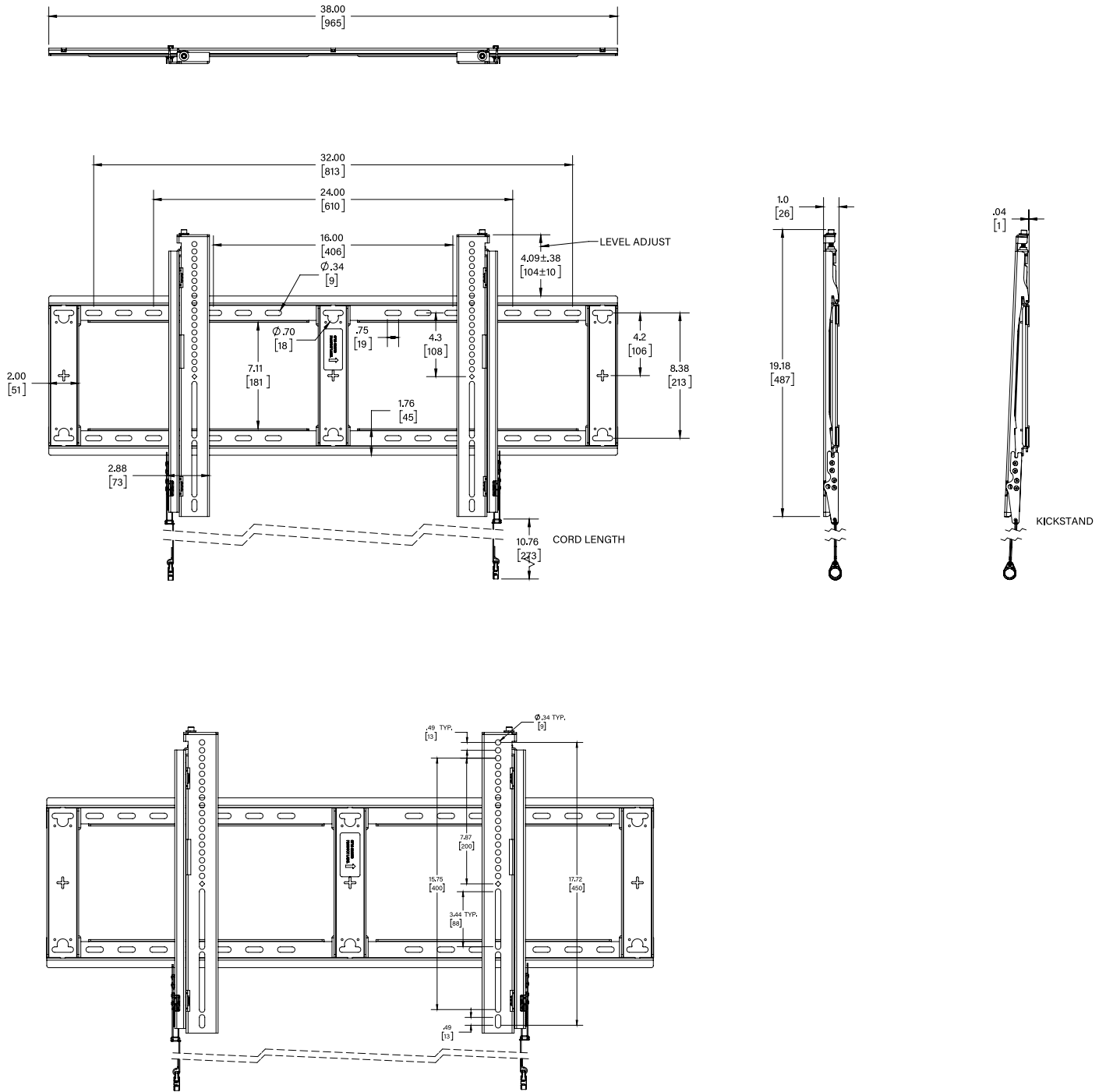
**MEDIUM FIT™ FIXED WALL MOUNT**



Measurements within brackets [xx.xx] are mm, measurements outside of brackets are inches.

**RLF3**

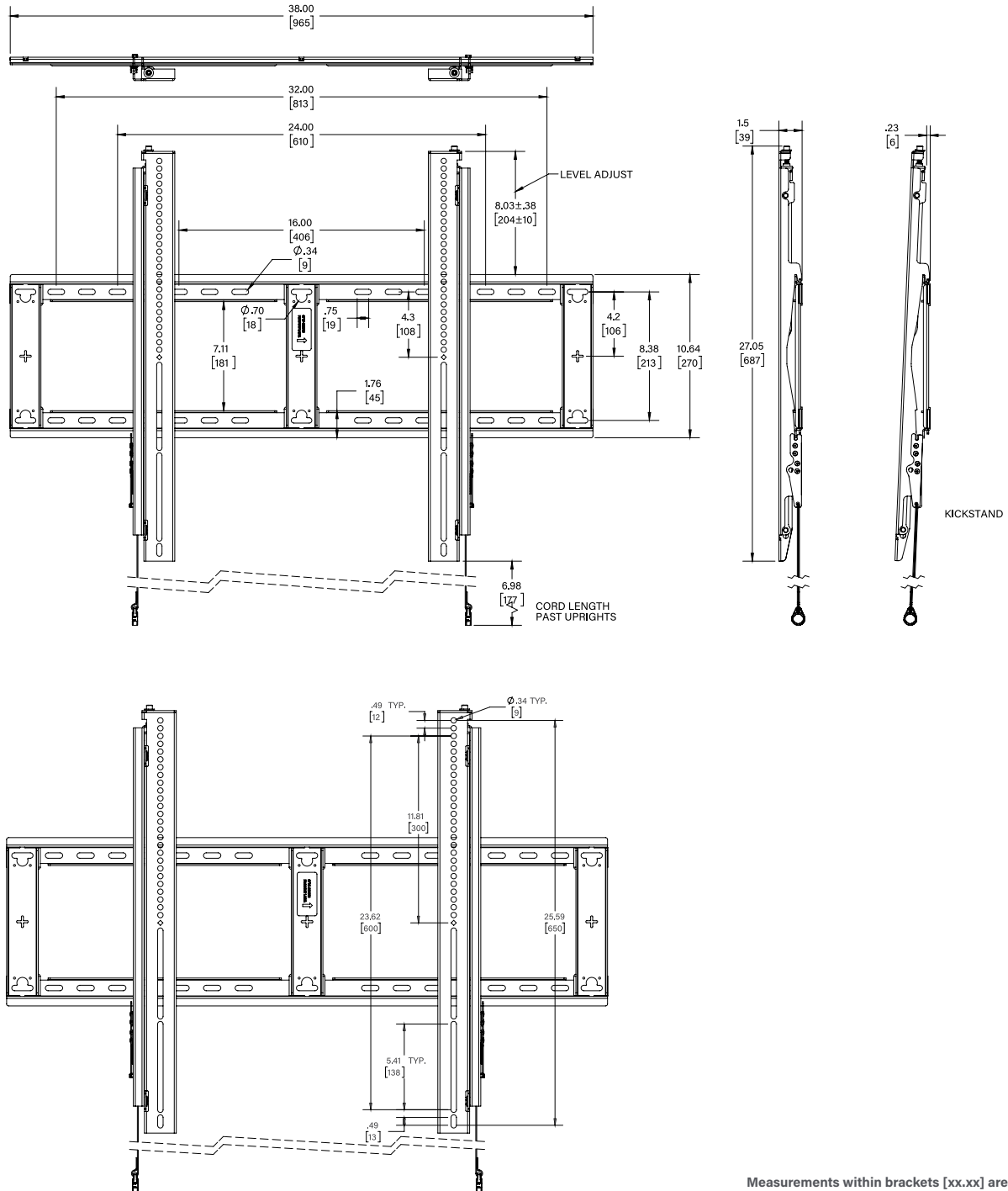
**LARGE FIT™ FIXED WALL MOUNT**



Measurements within brackets [xx.xx] are mm, measurements outside of brackets are inches.

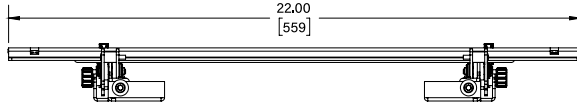
# RXF3

## EXTRA-LARGE FIXED WALL MOUNT

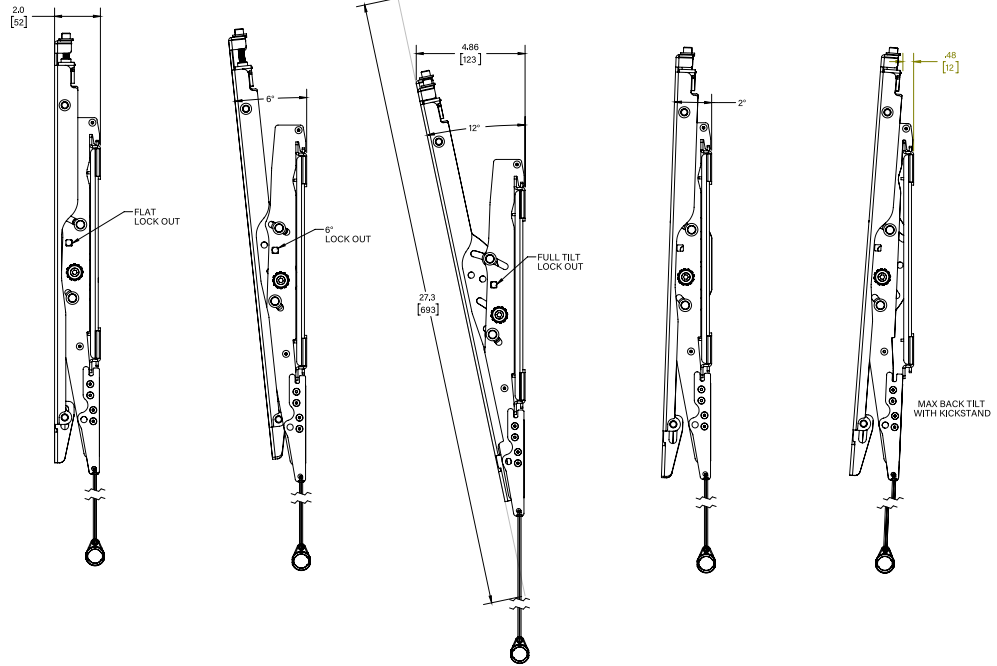
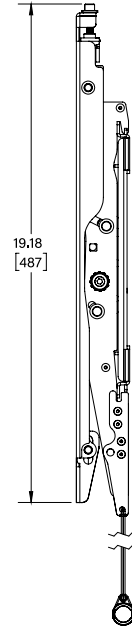
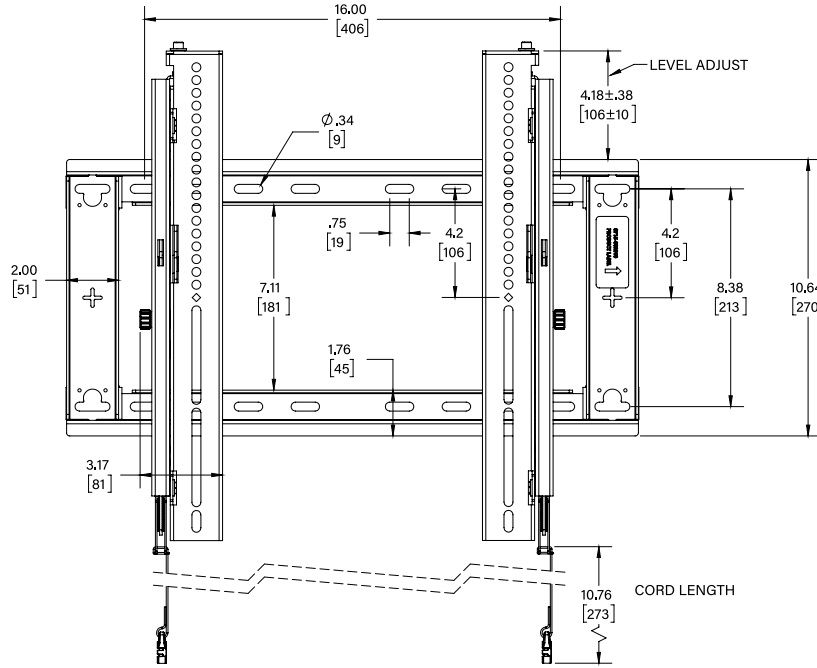


**RMT3**

**MEDIUM FIT™ TILT  
WALL MOUNT**

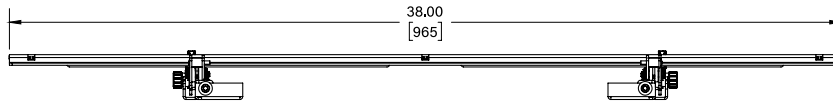


Measurements within brackets [xx.xx] are mm, measurements outside of brackets are inches.

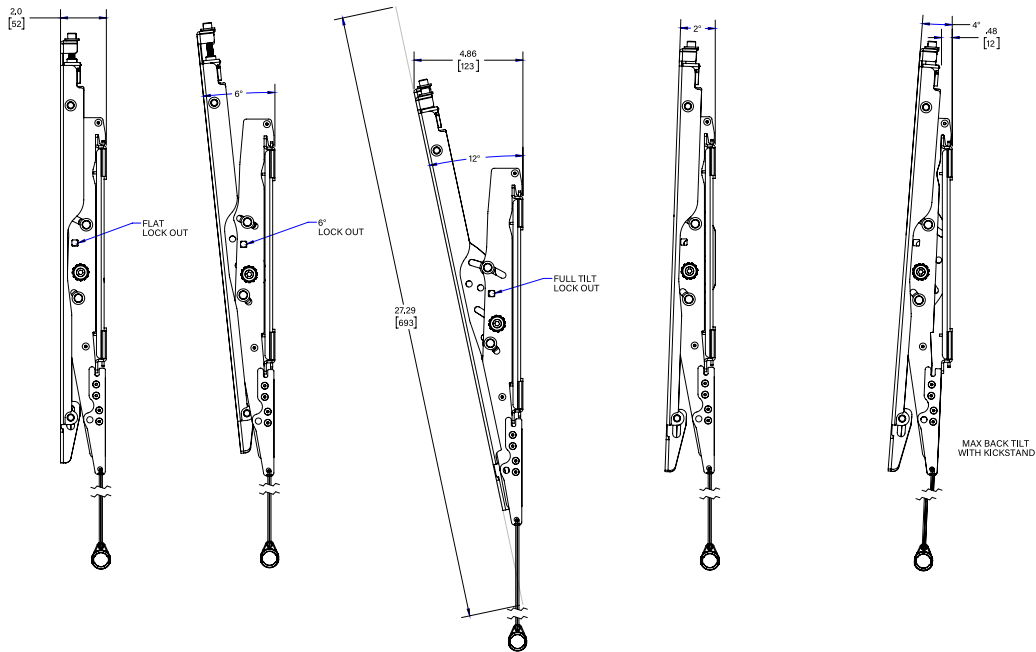
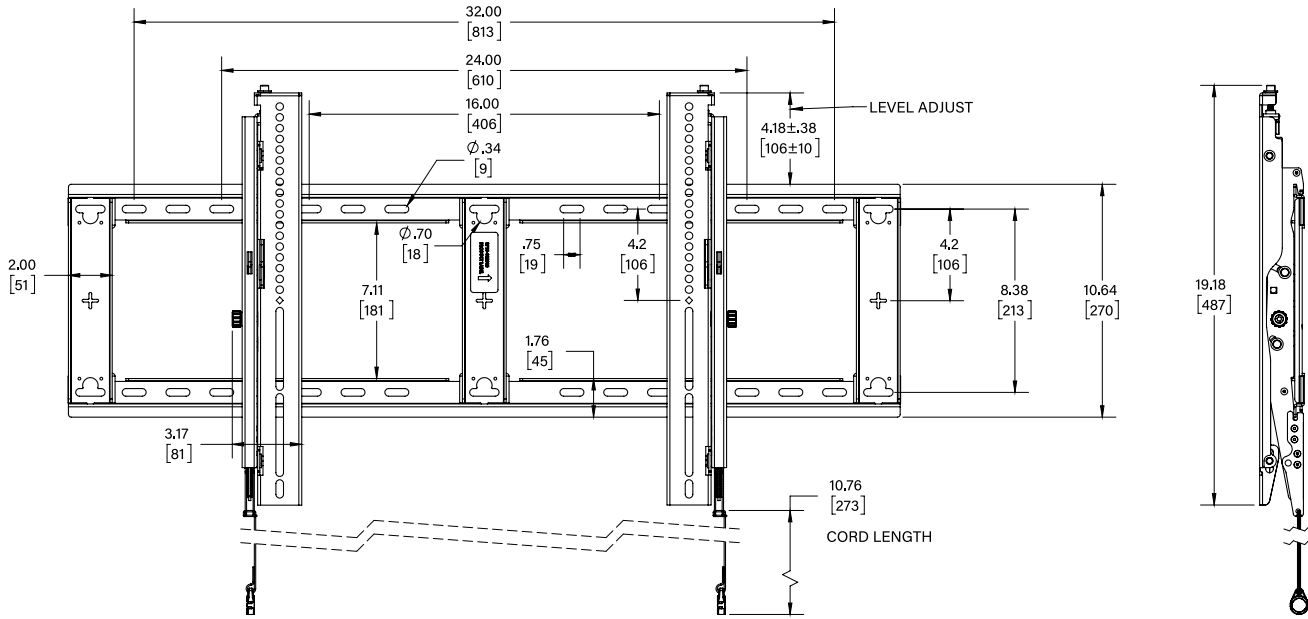


**RLT3**

**LARGE FIT™ TILT WALL MOUNT**

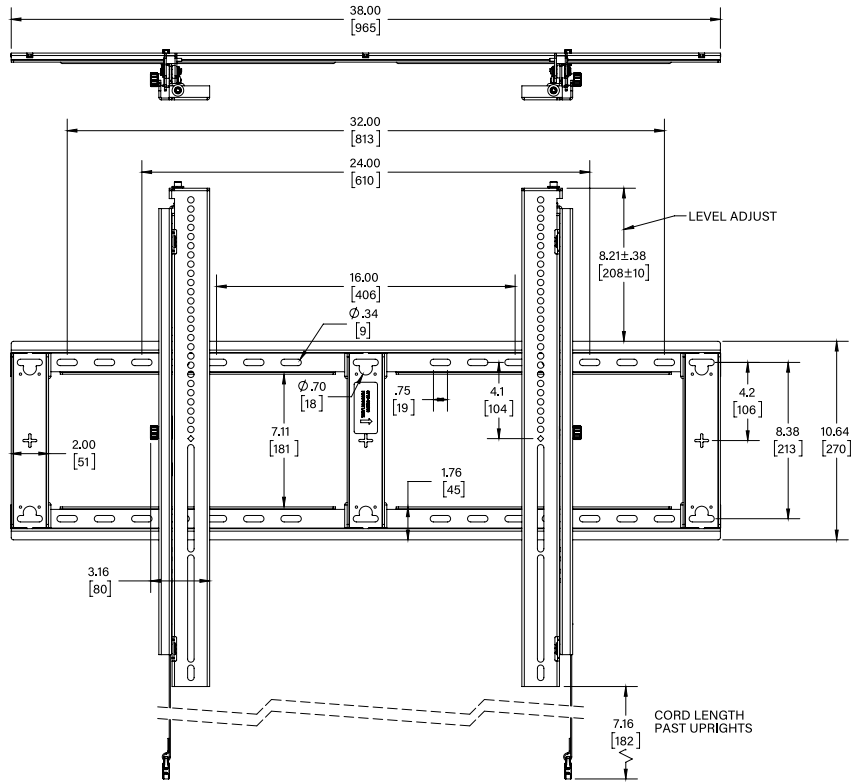


Measurements within brackets [xx.xx] are mm, measurements outside of brackets are inches.

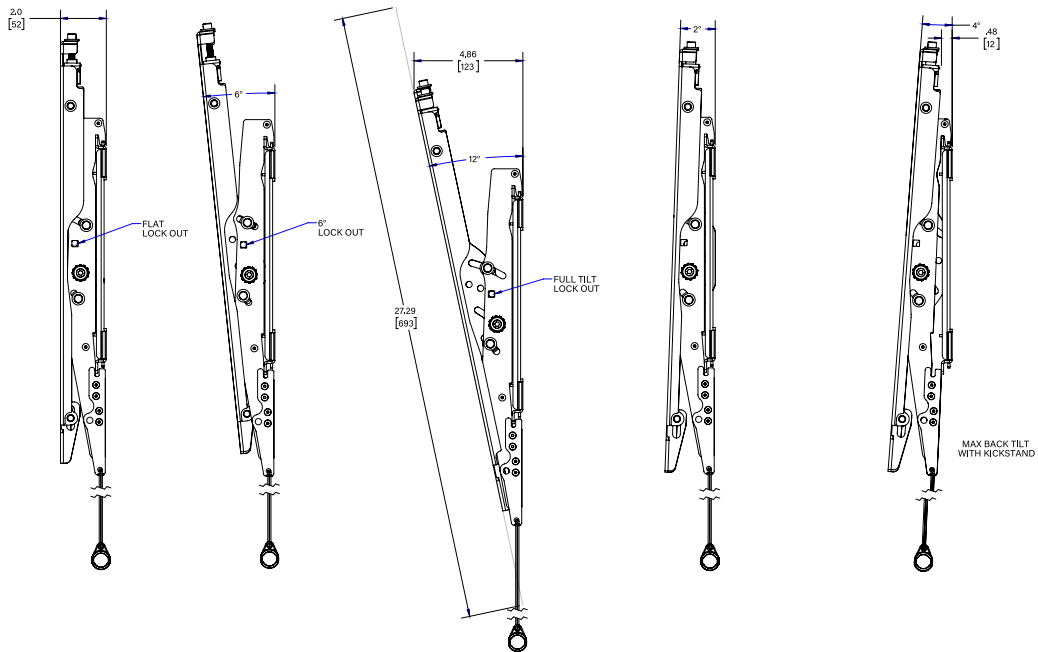
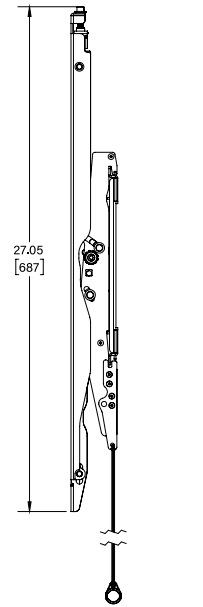


**RXT3**

**EXTRA-LARGE  
FIT™ TILT  
WALL MOUNT**



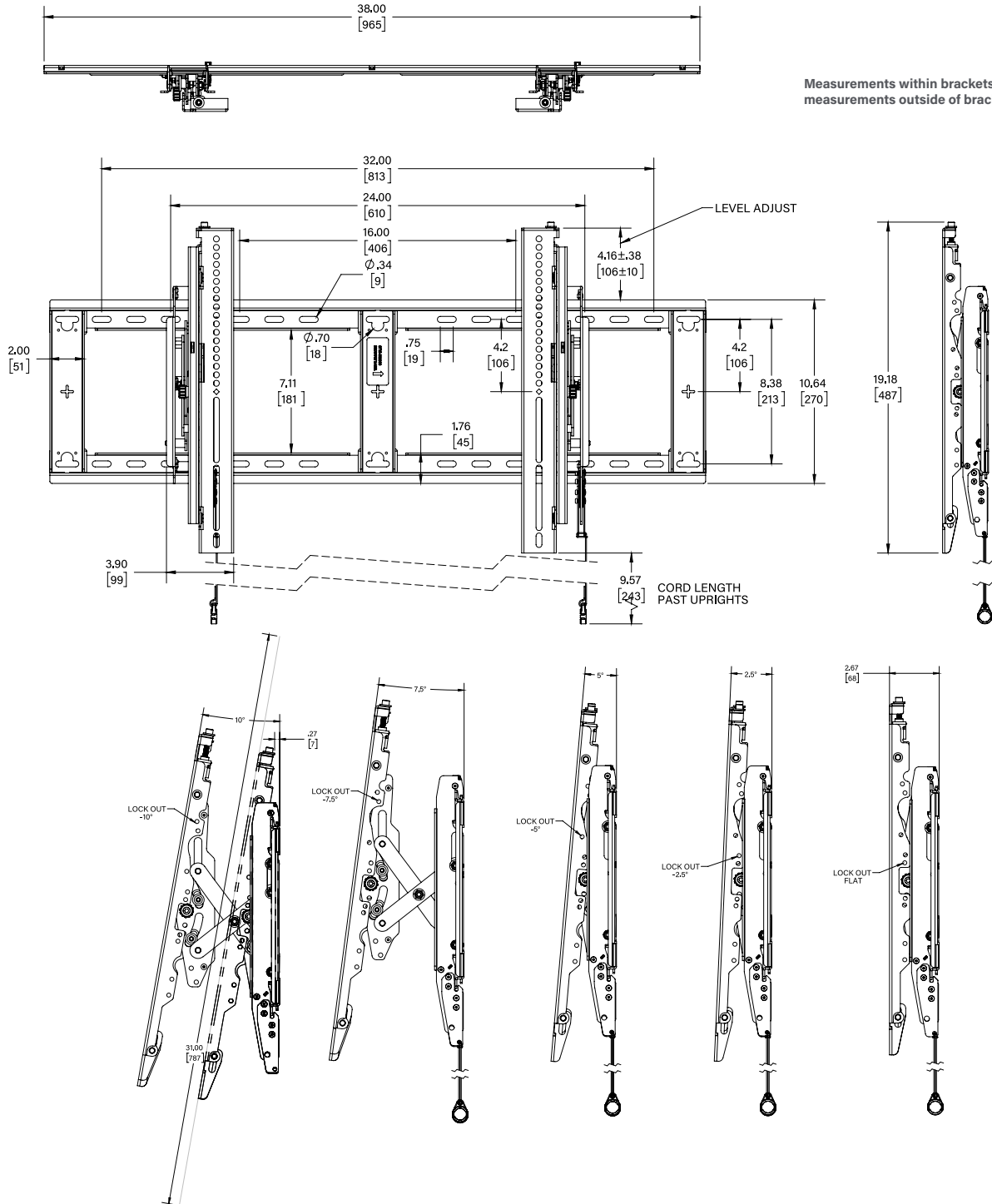
Measurements within brackets [xx.xx] are mm, measurements outside of brackets are inches.





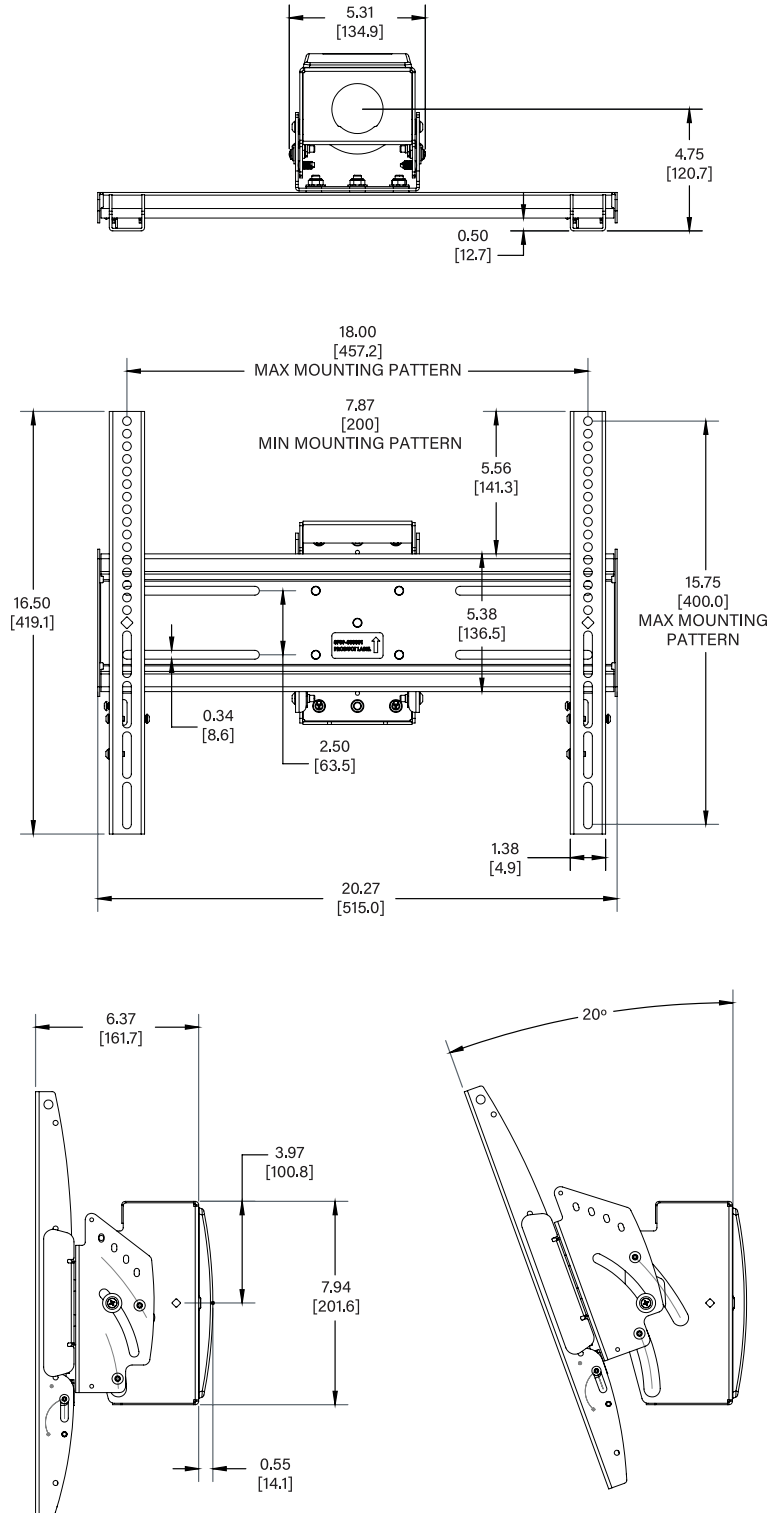
**RLXT3**

**EXTRA-LARGE  
FIT™ TILT  
WALL MOUNT**



**RMC1**

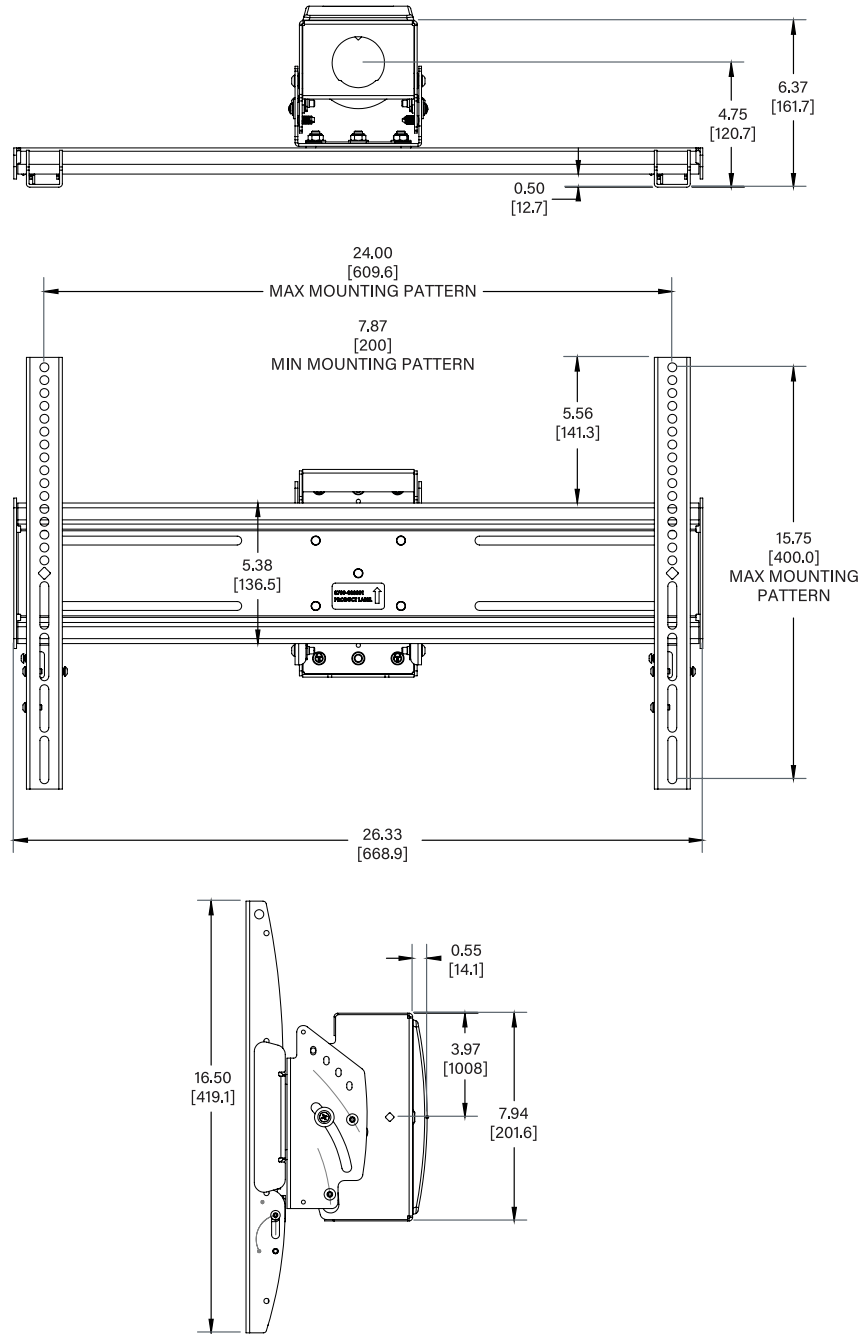
**MEDIUM FIT™  
CEILING MOUNT**



Measurements within brackets [xx.xx] are mm, measurements outside of brackets are inches.

**RLC1**

**LARGE FIT™  
CEILING MOUNT**



**LEGRAND | AV COMMERCIAL BRANDS**

C2G | Chief | Da-Lite | Luxul | Middle Atlantic | Vaddio | Wiremold

INSTALLER INSPIRED | [legrandav.com](http://legrandav.com)

USA 866.977.3901 [av.chief.support@legrand.com](mailto:av.chief.support@legrand.com) CANADA 877.345.4329 [av.chief.canada@legrand.com](mailto:av.chief.canada@legrand.com)

EMEA +31 495 580 840 [av.emea.sales@legrand.com](mailto:av.emea.sales@legrand.com) APAC +852 2145 4099 [av.asia.sales@legrand.com](mailto:av.asia.sales@legrand.com)